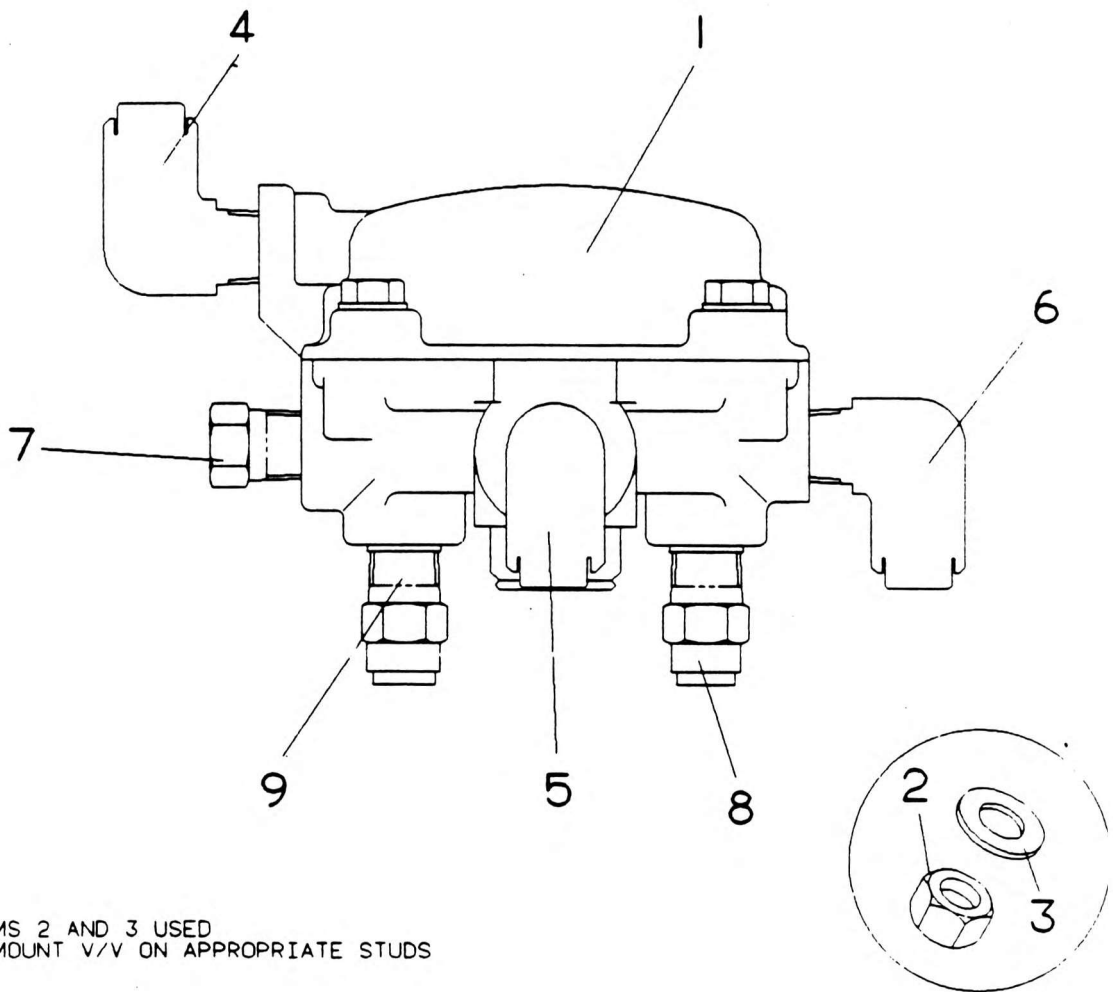


RELAY VALVE ASSEMBLY



ITEMS 2 AND 3 USED  
TO MOUNT V/V ON APPROPRIATE STUDS

NO.	PART NO.	QTY.	DESCRIPTION	NO.	PART NO.	QTY.	DESCRIPTION
1 +	7-926-001996	1	Relay Valve				
2	7069301	2	Nut Hex M10				
3	7066538	2	Washer M10				
4	7-443-991022	1	Fixed Elbow Adaptor $\frac{3}{8}$ " Tube				
5	7-443-991035	1	Fixed Elbow Adaptor				
6	7-443-991027	1	Fixed Elbow Adaptor				
7	13052	1	Plug $\frac{3}{8}$ " NPY Dry				
8	7-443-990969	1	Adaptor $\frac{3}{8}$ " NPTF x $\frac{1}{2}$ " Tube				
9	7-443-990969	1	Adaptor $\frac{3}{8}$ " NPTF x $\frac{1}{2}$ " Tube				

6-926-990271  
Issue No. 09